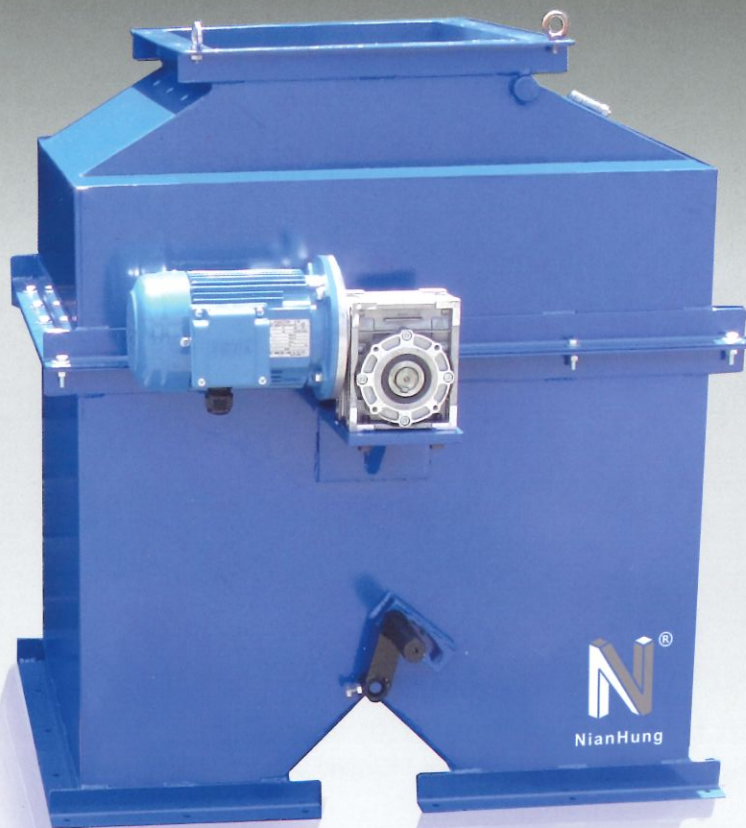




年弘
NianHung Co.,Ltd

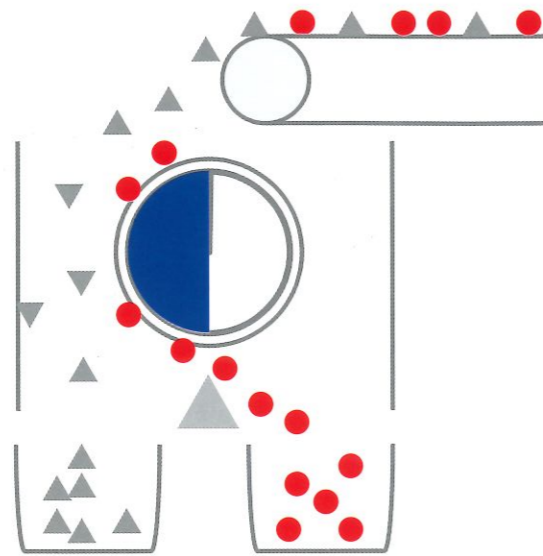


立式磁選機

Vertical Magnetic Separator

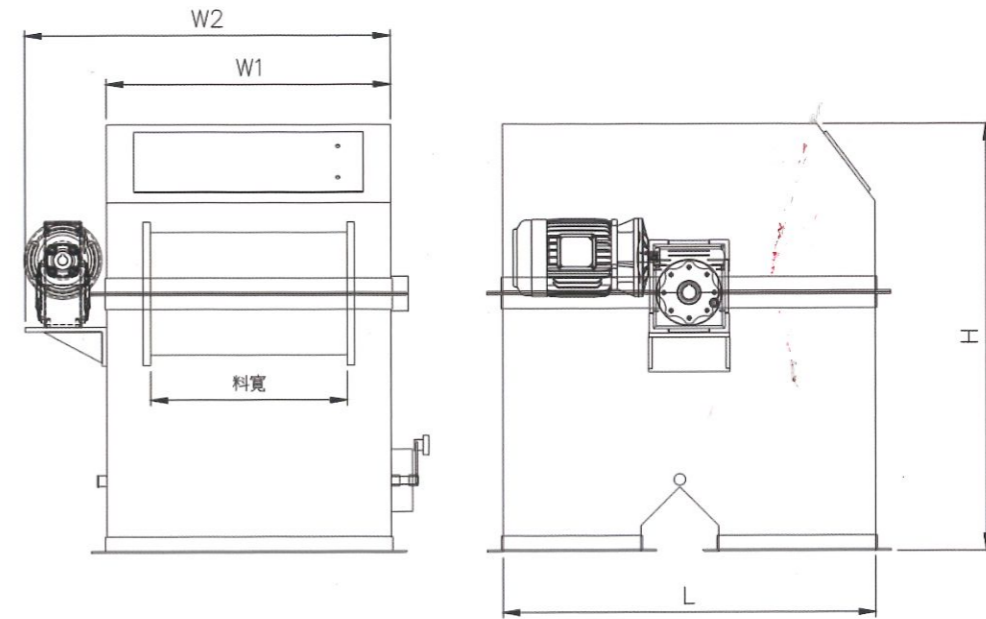
廣泛應用於建築、爐渣、砂石、鋼鐵、煤炭、木材、棧板、資源回收廠...等含鐵物質的排除適用於分選橡塑膠類、ABS、PET、PP、食品、生化、飼料、肥料及各類乾式原料裡的鐵屑

Applicable to separate iron filings from rubber, plastic, ABS, PET, PP, food, biochemical, feed, fertilizer in various dry materials



- 磁性物
Magnetic Substance
- ▲ 非磁性物
Non-magnetic Substance

國際專利 International Patent



用途 Usage

適用於分選乾式原料如食品、飼料、ABS、PET、PP中裡鐵性物質

Vertical Magnetic Separator is used for separating iron filings from various dry materials such as food, feed, ABS, PET, PP

特徵 Features

- ① 永久磁鐵設計，不需任何電源
 - ② 本設備可適用於室外作業
1. No operating energy is required
 2. Tough durable design is suitable for outdoor use

規格 Specification

- ① 最高磁力可達8,000高斯
 - ② 尺寸機型或特殊規格可依客戶需求客製化機器
1. Highest magnetic force can reach 8,000 Gauss
 2. Customization of machine such as dimensions, models or specifications to meet the needs of customer

■ VNH 系列 Series

型號 Model	磁力 Magnetic Force (GAUSS)	本體尺寸 Body Dimensions(mm)					外徑 Outer Diameter Ø(mm)	迴轉數 (RPM)	出力 Power Output (kW)	概算 重量 (KG)
		L	W1	W2	H	料寬 Belt Width				
VNH-600	1000 ~8000	650	730	755	1100	600	400 可變 Variable	20~40	0.75	350
VNH-800		750	930	955		800				400
VNH-1000		850	1130	1155		1000			1.5	480