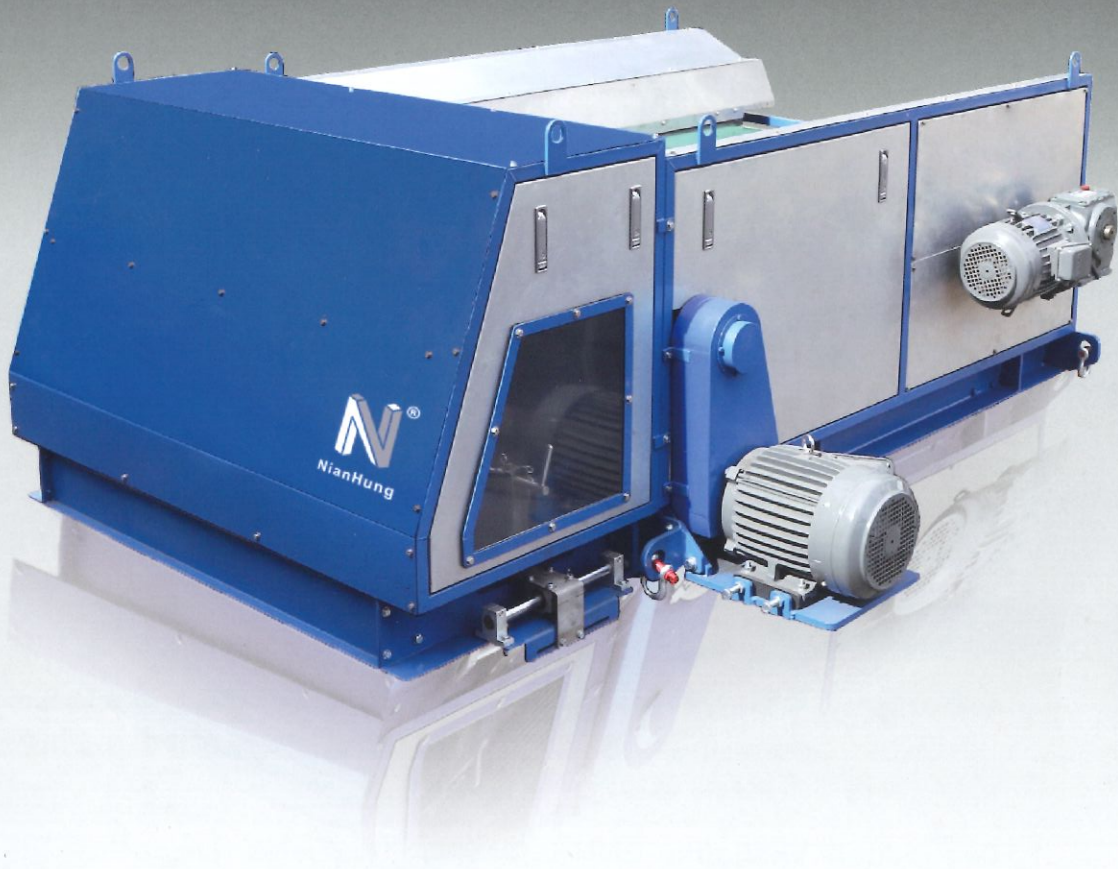




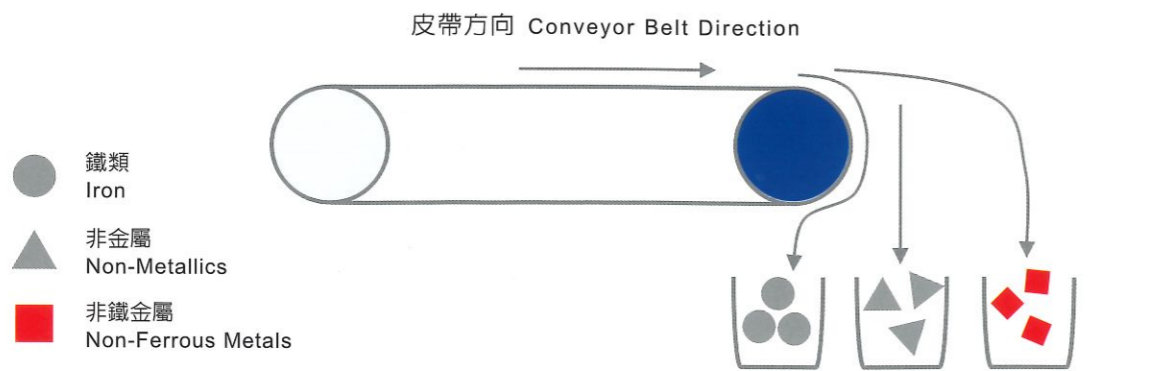
年弘
NianHung Co.,Ltd



渦電流分選機
Eddy Current Separator



適用於分選非鐵金屬如銅、鋁、鉛、錫、塑料等原料
For the separation of non-ferrous metals such as copper, aluminum, lead, tin, plastic and other raw materials



國際專利 International Patent

用途 Usage

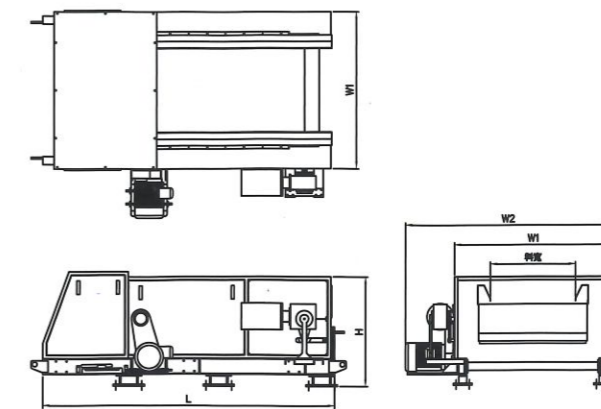
- ① 將鋁罐與塑料瓶或玻璃瓶等分開
 - ② 高效分選回收混入到城市垃圾等破碎物中的鋁片
 - ③ 從破碎機分選出銅和塑料
 - ④ 用於從碎玻璃、電子產品的破碎物、汽車破碎物中分選回收有價值的金屬
1. Recovery aluminum cans from plastic and glass bottles
 2. High efficiency of recovery of aluminum from city waste
 3. Separation of copper and plastic from crusher machines
 4. Recovery of valuable metals from glass, electronic scrap, car scrap

特徵 Features

- ① 兩種機型，依原料的尺寸大小選擇：ENH-L型適用於原料粒徑大於10mm
ENH-S型適用於原料粒徑小於10mm
 - ② 振動送料機可將原料定量輸送，提高分選效率
1. Two models available: ENH-L for metal particles larger than 10 mm
ENH-S for metal particles smaller than 10 mm
 2. Vibration feeder provides stable feed rate which can increase the sorting efficiency

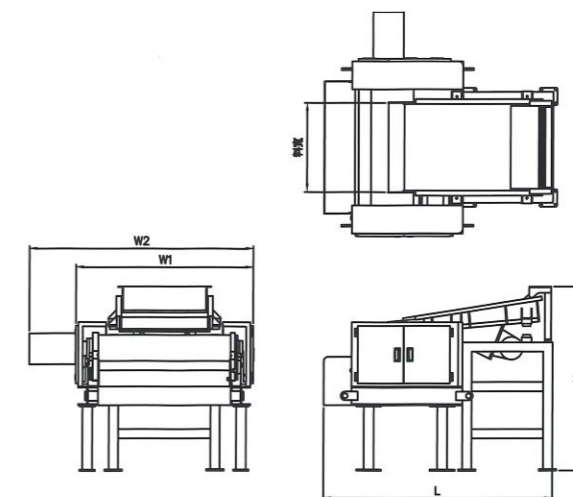
規格 Specification

- ① 高速渦輪旋轉次數 ENH-L型：最高2,000 rpm；ENH-S型：最高 2,500 rpm
 - ② 附帶專用控制箱
 - ③ 傳送帶的驅動採用橫置馬達
 - ④ 可依客戶需求客製化機器
1. Magnetic drum speed: Model ENH-L: Max. 1,800 rpm
Model ENH-S: Max. 2,500 rpm
 2. Controller included
 3. Belt drive with hybrid gear motor
 4. Customization of machine to meet the needs of customer



ENH-L 系列 Series

型號 Model	本體尺寸 Body Dimensions(mm)				料寬 Belt Width	迴轉數 (RPM)	皮帶速度 Belt Speed (m/min)	出力 Power Output(kW)		概算重量 Weight (KG)
	L	W1	W2	H				皮帶 Belt	渦輪 Roller	
ENH-L600	2850	1800	1850	950	600	3000 可變 Variable	20-100 可變 Variable	1.5	3.7	1600
ENH-L800	3000	2000	2050		800					2000
ENH-L1000	3100	2200	2250		1000			2500	2.2	5.5



ENH-S 系列 Series

型號 Model	本體尺寸 Body Dimensions(mm)				料寬 Belt Width	迴轉數 (RPM)	皮帶速度 Belt Speed (m/min)	出力 Power Output(kW)		概算重量 Weight (KG)
	L	W1	W2	H				皮帶 Belt	渦輪 Roller	
SENH-S300	1840	1300	1335	1200	300	2500 可變 Variable	20-100 可變 Variable	0.75	2.2	1000
SENH-S600	2000	1500	1535		600					1200