

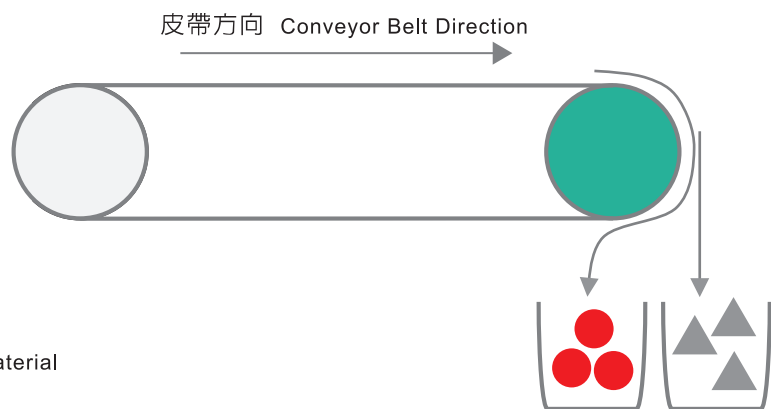
永磁平面輸送式磁選機/不鏽鋼分選機  
Belt Conveyor Magnetic Separator  
Stainless Steel Sorting Machine



廣泛用於砂石、煤炭、爐渣、肥料、飼料、  
橡塑膠、資源回收等需要去除或分選鐵類的產業

Widely used in sandstone, coal, slag, fertilizer, feed,  
rubber and plastics, resource recovery and other industries

永磁平面輸送式磁選機 / 不鏽鋼分選機  
Belt Conveyor Magnetic Separator  
Stainless Steel Sorting Machine



- 鐵類  
Iron
- ▲ 非鐵類物料  
Non-Ferrous Material

用途 Usage

- ① 分選或去除黑鐵類與非鐵類物料
- ② 分選或去除不銹鋼與非鐵類物料

1. Separation or remove of black Iron and non-ferrous materials
2. Separation or remove of stainless steel and non-ferrous materials

特徵 Features

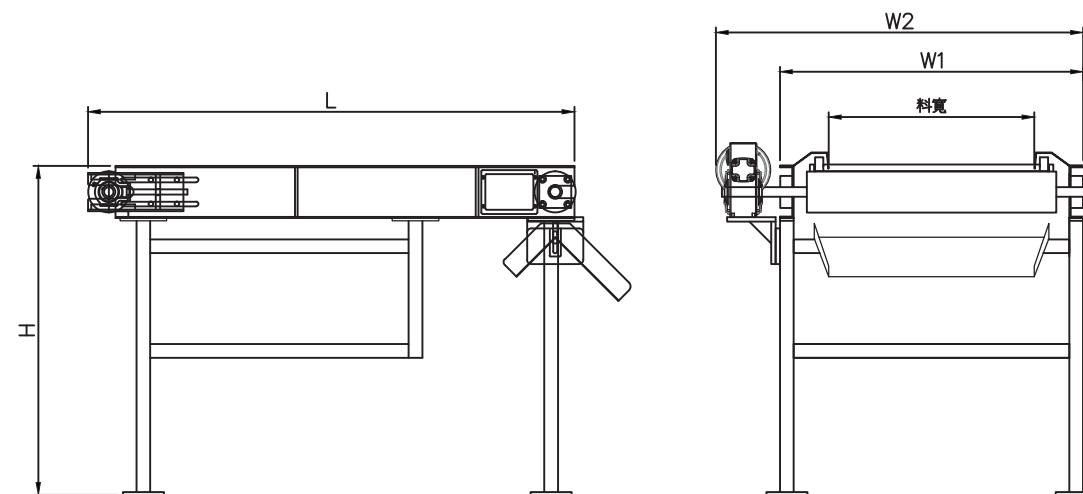
- ① 兩種機型，依分選原料的類別選擇：
  - TNH-600-3K型磁力3000高斯適用於分選原料中的黑鐵
  - TNH-900-16K型磁力16000高斯適用於分選原料中的不銹鋼
- ② 附帶移動車輪，可自由移動
- ③ 本設備使用的是永久磁鐵，不需任何電源
- ④ 振動送料機可將原料定量輸送，提高分選效率

1. Two models available:
  - Model TNH-600-3K: magnetic force 3000 Gauss which is applicable for removing black iron in raw materials
  - Model TNH-900-16K: magnetic force 16000 Gauss which is applicable for removing stainless steel in raw materials
2. Simple operation and rolls for easy relocation
3. No operating energy is required
4. Vibration feeder provides stable feed rate which can increase the sorting efficiency

規格 Specification

- ① 標準傳送帶由耐磨橡膠製作而成
- ② 最高磁力可達17,000高斯
- ③ 可依客戶需求客製化機器

1. Standard model equipped with wear protection wipe
2. Highest magnetic force can reach 17,000 Gauss
3. Customization of machine to meet the needs of customer



■ TNH 系列 Series

型號 Model	磁力 Magnetic Force (GAUSS)	本體尺寸 Body Dimensions(mm)					皮帶速度 Belt Speed (m/min)	出力 Power Output (kW)	概算 重量 Weight (KG)
		L	W1	W2	H	料寬 Belt Width			
TNH-500	3000 ~17000	1800	700	730	1200	500	20~40 可變 Variable	0.75	560
TNH-700			900	930		700			580
TNH-900			1100	1130		900			680